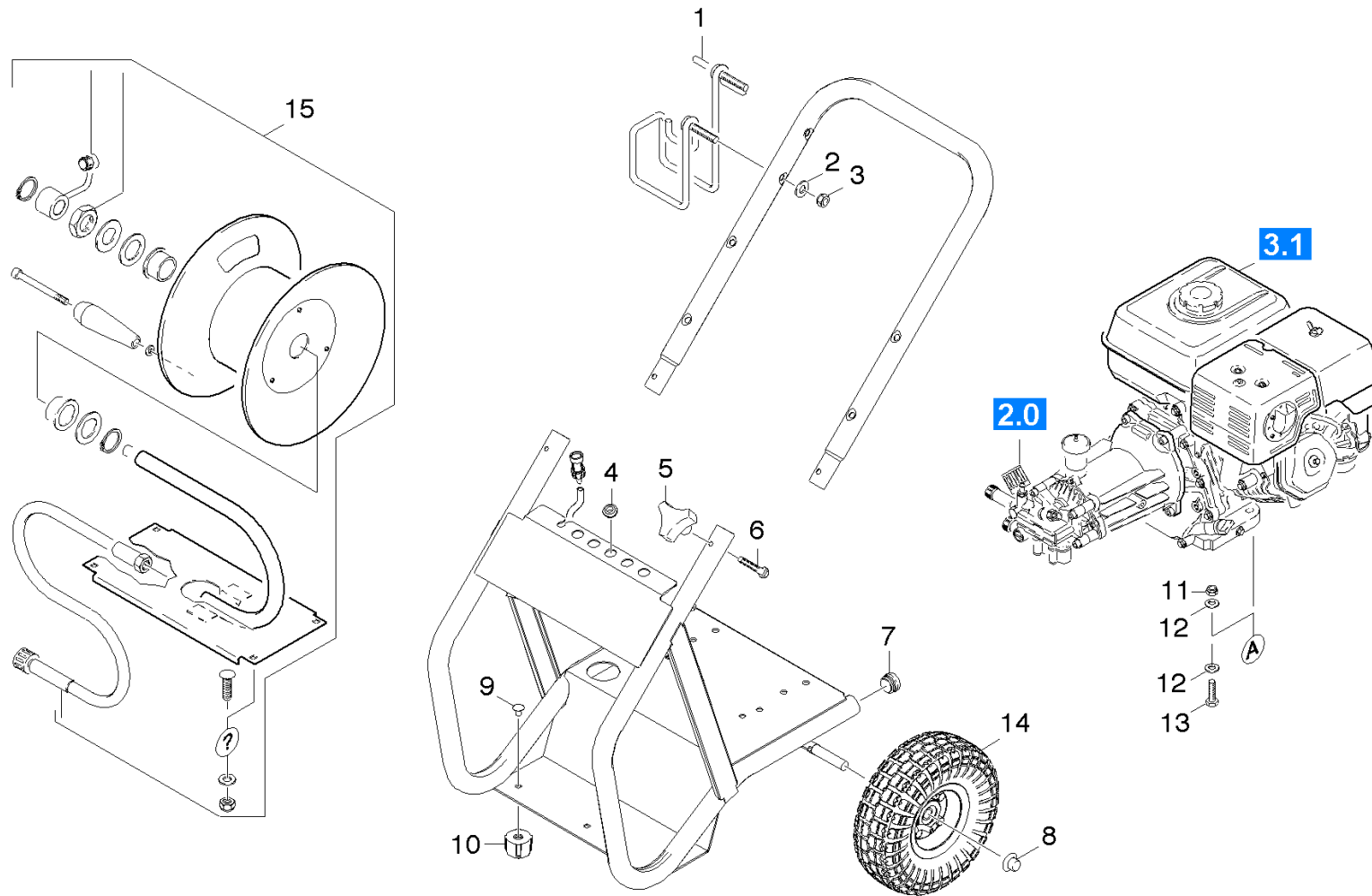


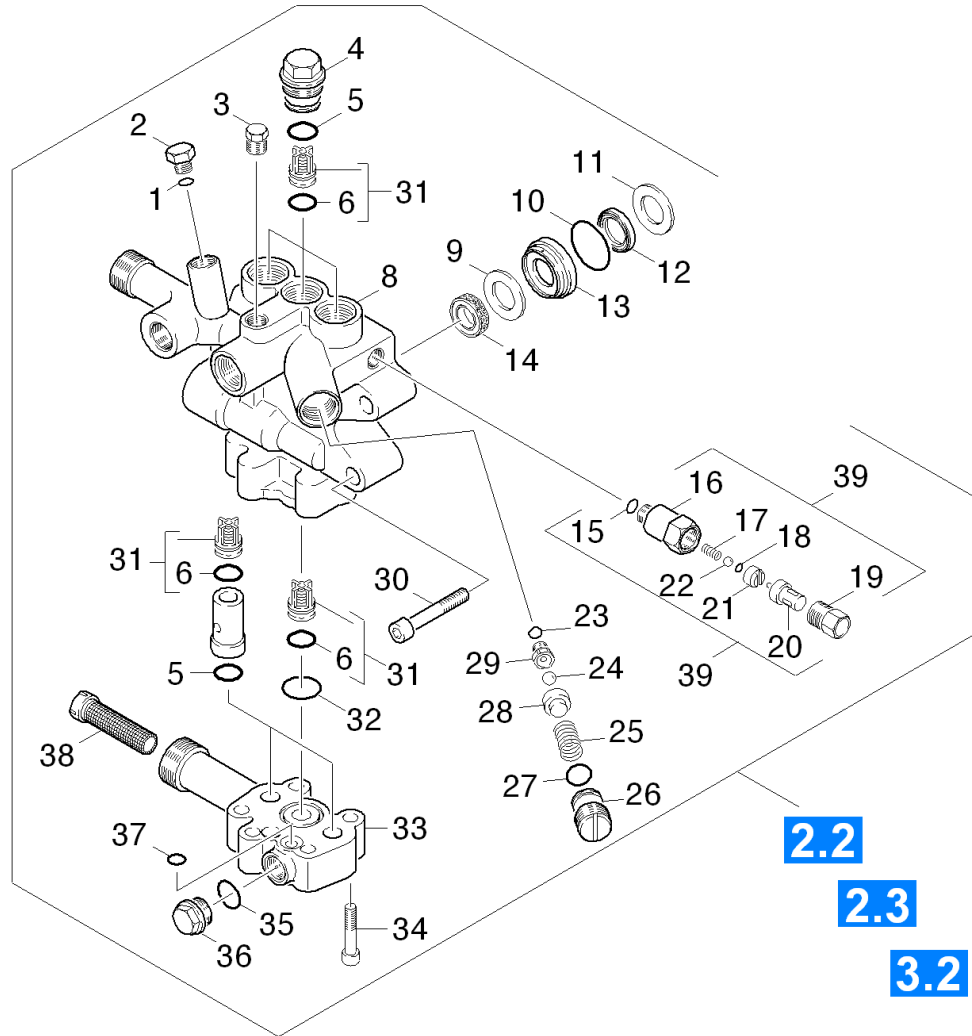
1.0 Frame



1.0 Frame

POS	DESCRIPTION ADDITIONAL INFORMATIONS	PART NO	QTY.	FROM SER.NR.	UP TO SER. NR.
1	HANGER WELD ASSY 45DEG RIGHT (SOLO)	91420090	1		
2	5/16 INTERNAL L/W .332 ID X .620 OD ZINC	91980030	2		
3	5/16"-18 FINISHED HEX NUT ZINC	53101050	2		
4	GROMMET	91772040	5		
5	KNOB 1/4"-20,3PT. STAR	91823530	2		
6	1/4-20 x 1-1/2 GR 2 HEX BOLT ZINC	91963070	2		
7	BLACK,PLUG PLASTIC	91830010	2		
8	CAP BLACK PLASTIC,5/8"FASTENER	91825060	2		
9	5/16-18 X 1/2 CARRIAGE BOLT A307 BLK	91963080	2		
10	RUBBER DAMPENER 5/16"-18FEMALE 2001	91834050	2		
11	3/8-16 NE NYLON INSERT L/N ZC 5UM WHITE	91970030	4		
12	3/8 USS F/W ZINC	91980040	8		
13	Stockpiling discontinued	77779990	4		
14	WHEEL 10" X 3.50" PNEU	91890070	2		
15	HOSE REEL W/HOSE	91240050	1		

2.1 Cylinder head



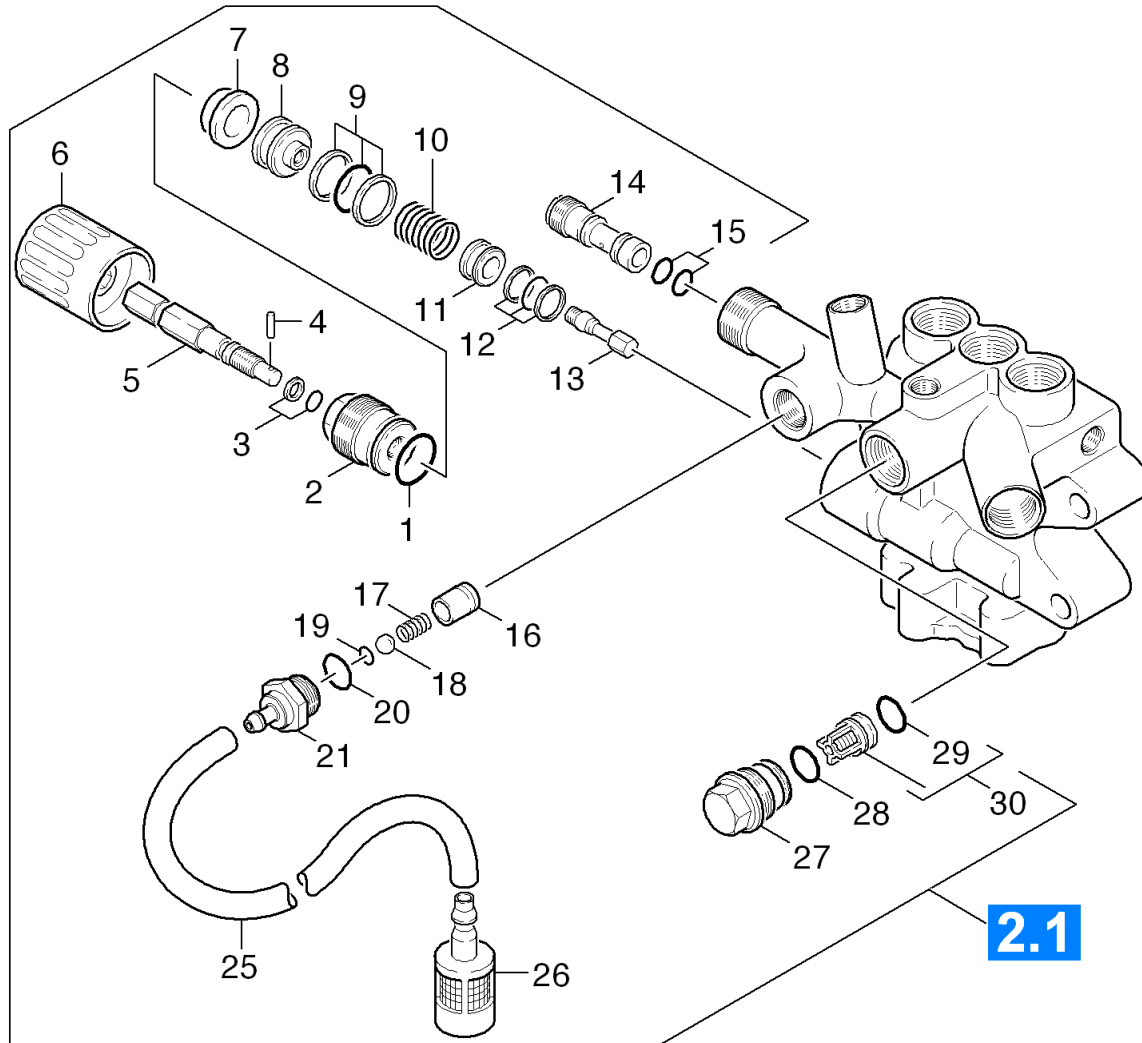
2.1 Cylinder head

POS	DESCRIPTION ADDITIONAL INFORMATIONS	PART NO	QTY.	FROM SER.NR.	UP TO SER. NR.
1	ROUND CORD RING	63621130	1		
2	SCREW PLUG	54110700	1		
3	Screw plug R1/8 -CuZn DIN 909	73822740	1		
4	Valve screw	55831460	4		
5	O-Ring seal 14,0 X 2,0-NBR 80	63624810	6		
6	GASKET	63630030	6		
8	CYLINDER HEAD	55502730	1		
9	WASHER	51154920	3		
10	O RING	63623980	3		
11	WASHER	51154930	3		
12	Compact seal 16 x 24 x 4	63653510	3		
13	Bush	51124020	3		
14	LIP SEAL 16X24X5.3	63654080	3		
15	ROUND CORD RING	63621010	1		
16	SCREW UNION	54026370	1		
17	HELICAL SPRING	53322330	1		
18	O RING 4.47X 1.78	63628530	1		
19	CLOSING SCREW	54111500	1		
20	VALVE	64130670	1		
21	WASHER	51158760	1		
22	BALL 4,762	74010090	1		
23	O RING	63627030	1		
24	Sphere 7 G300 -1.4301 DIN 5401	74019080	2		
25	Helical spring	53322030	1		
26	VALVE SCREW	55830890	1		
27	O RING 12.0 X 2.0	63621690	1		
28	VALVE HEAD	55820750	1		
29	VALVE SEAT	55812180	1		
30	M10 X 70MM CLS 8.8 SHCS THRU HARDENED	73061250	4		
31	VALVE	45803290	6		
32	O-RING	63625470	1		
33	Valve housing	50608090	1		

2.1 Cylinder head

POS	DESCRIPTION ADDITIONAL INFORMATIONS	PART NO	QTY.	FROM SER.NR.	UP TO SER. NR.
34	M8-1.25 X 35MM CLS 8.8 SHCS THRU,	73060440	5		
35	O RING	63624270	1		
36	Screw plug A-M18x1,5-CuZnDIN7604	73822350	1		
37	O-RING 9,0 X 1,5	63623840	3		
38	FILTER	64142820	1		
39	VALVE	45803550	1		
100	SPARE PARTS KIT fuer Pumpensatz	28842170	1		

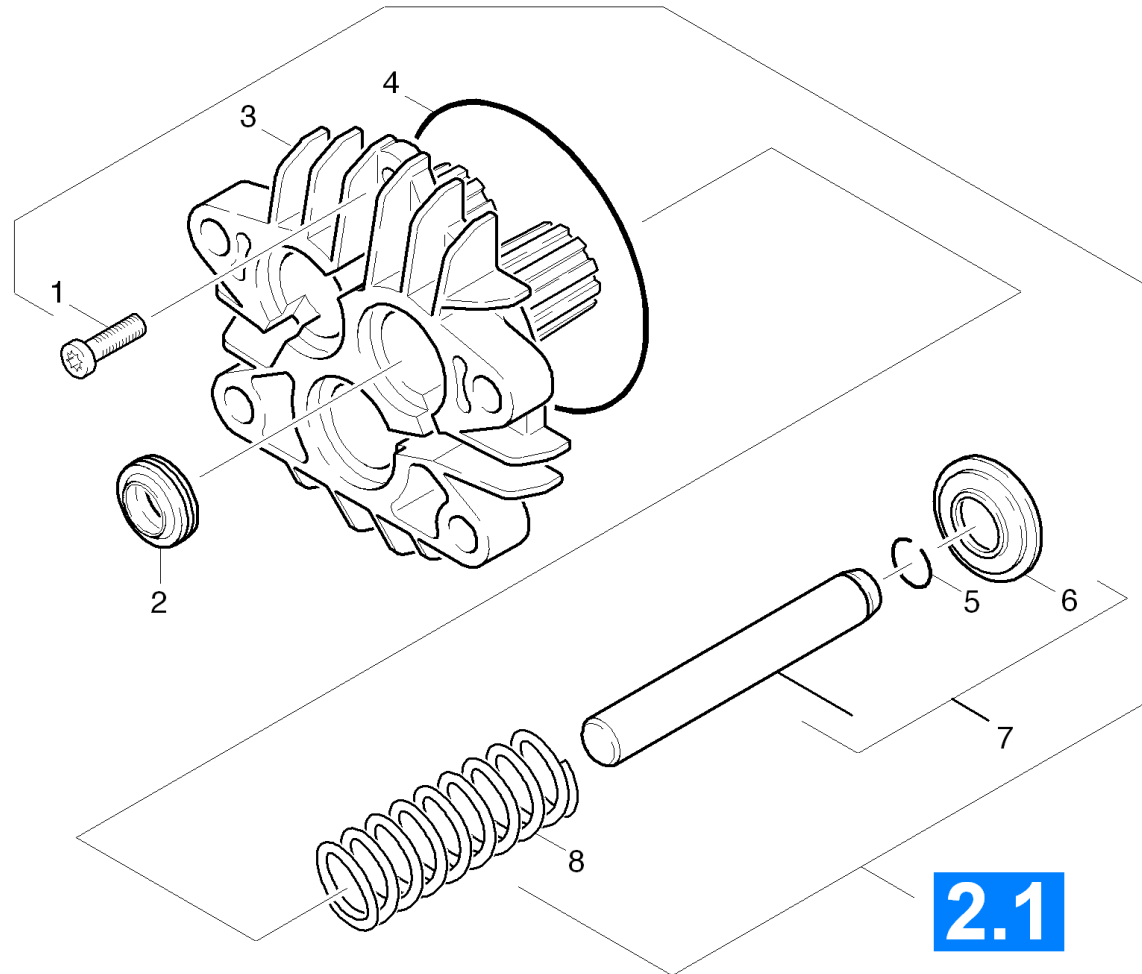
2.2 Chemistry



2.2 Chemistry

POS	DESCRIPTION ADDITIONAL INFORMATIONS	PART NO	QTY.	FROM SER.NR.	UP TO SER. NR.
1	O RING	63629890	1		
2	VALVE SCREW	55831470	1		
3	O-RING COMPL	63624680	1		
4	Grooved pin 2x10 -A1 ISO 8742	73146290	1		
5	SPINDLE	52910730	1		
6	HANDLE	53213070	1		
7	SLEEVE	51106300	1		
8	Piston excess-current	55533630	1		
9	GASKET	63629770	1		
10	SPRING	53324250	1		
11	VALVE SEAT	55812140	1		
12	O RING	63624500	1		
13	SCREW	53052630	1		
14	Nozzle insert	91520030	1		
15	O-RING 9,0 X 1,5	63623840	1		
16	PIPE	50286920	1		
17	COIL SPRING	53321240	1		
18	Sphere 7 G300 -1.4301 DIN 5401	74019080	1		
19	O RING	63623830	1		
20	O'RING	63625330	1		
21	CHEMICAL NIPPLE	91540390	1		
25	Hose DN 5	63882160	1		
	TO ORDER AS CUT GOODS				
26	Filter with weight	57316090	1		
27	Valve screw	55831460	1		
28	O-Ring seal 14,0 X 2,0-NBR 80	63624810	1		
29	O RING	63623810	1		
30	VALVE	45803230	1		

2.3 Piston



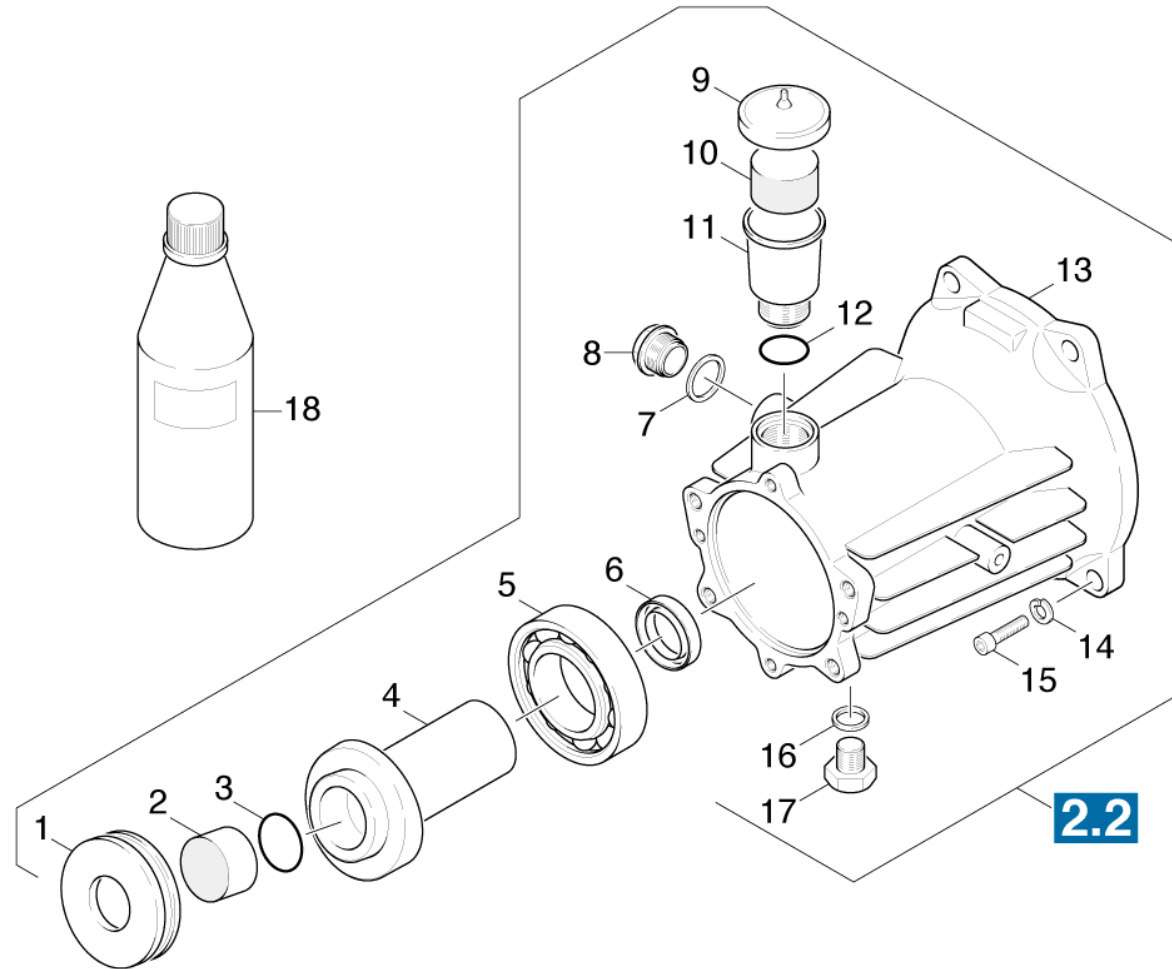
2.3 Piston

POS	DESCRIPTION ADDITIONAL INFORMATIONS	PART NO	QTY.	FROM SER.NR.	UP TO SER. NR.
1	Screw M6x25 -8.8-R3R (In6Rd)	73060940	2		
2	GROOVED RING 16X24X7	63653220	3		
3	HOUSING	50606760	1		
4	GASKET	63629630	1		
5	Snap ring A16 -FST DIN 7993	73434780	3		
6	WASHER	51156890	3		
7	PISTON COMPLETE-G 4000 SH	91723140	3		
8	HELICAL SPRING	53324030	3		

3.1 Motor

POS	DESCRIPTION ADDITIONAL INFORMATIONS	PART NO	QTY.	FROM SER.NR.	UP TO SER. NR.
1	CAP OF A TANK	64913470	1		
2	FILTER	91945030	1		
3	TANK	91945010	1		
4	SEAL	64913480	1		
5	EXHAUST COVER	91945090	1		
6	SCREW M4X6	91945180	1		
7	COVER AUSPUFF	91945070	1		
8	WING NUT	91945220	1		
9	BLOWER COVER	91944990	1		
10	AIR FILTER	64913450	1		
11	PULL ROPE	64913500	1		
13	IGNITION PLUG	91945280	1		
14	STARK PLUG CONNECTOR	91945140	1		
18	OELDICHTRING	91944960	2		
19	DRAIN SCREW	91944950	1		
20	WASHER	91945260	1		
21	BOLT	91945200	1		
22	SPRING	64911760	1		
23	OIL DIP ROD	91944920	1		
24	OIL 1 LITRE	62880500	1		
26	SCREW M4X 6	91945160	1		
27	EXHAUST KPL.	91945050	1		
28	NUT	91945240	1		

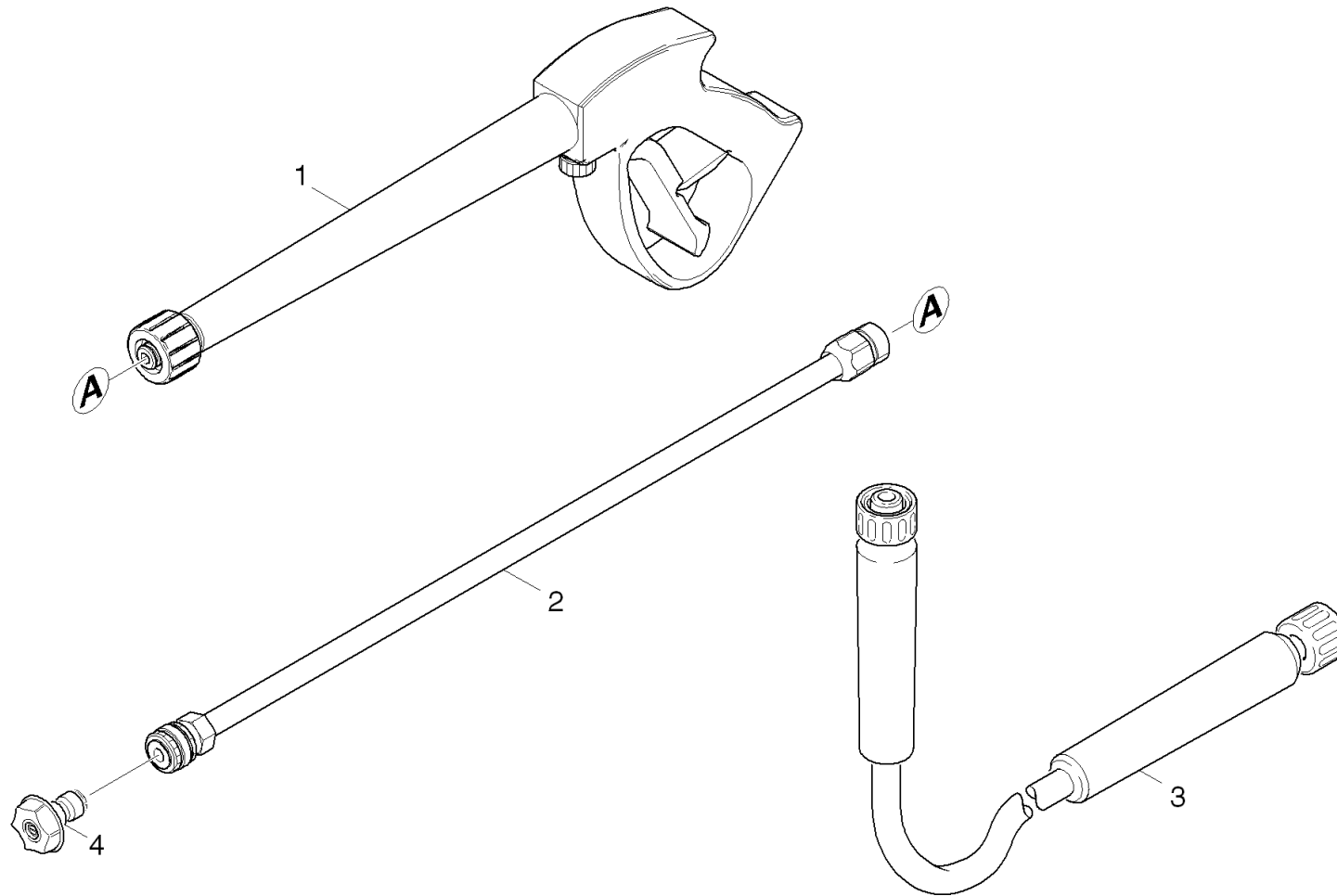
3.2 Transmission



3.2 Transmission

POS	DESCRIPTION ADDITIONAL INFORMATIONS	PART NO	QTY.	FROM SER.NR.	UP TO SER. NR.
1	Axial roller bearing	64013340	1		
2	PLUG	51321440	1		
3	GASKET	63628100	1		
4	Swash plate	91652550	1		
5	TAPER ROLLER BEARING	64012250	1		
6	SEALING RING	73670110	1		
7	Seal	63625850	1		
8	SCREW PLUG	54110620	1		
9	Cover	50636510	1		
10	PLUG	51321070	1		
11	Tank	50701940	1		
12	O-RING 22.3 X 2.4	63621680	1		
13	HOUSING	50608270	1		
14	3/8" SPLIT LOCK WASHER ZC	63120660	4		
15	3/8-16 X 1-1/4 SHCS ZINC	91960150	4		
16	Joint ring 14x18-CU DIN 7603	73620050	1		
17	Screw plug A-M14x1,5-CuZnDIN7604	73822330	1		
18	OIL 1 LITRE	62880500	1		

4.0 Accessories



4.0 Accessories

POS	DESCRIPTION ADDITIONAL INFORMATIONS	PART NO	QTY.	FROM SER.NR.	UP TO SER. NR.
1	LANCE-AL QUICK CONNECT -MALE 4000 PSI	91125270	1		
2	AL5 GUN 4000 PSI	91120170	1		
3	HP HOSE DN8/50'/4000/NOLOGO/BLK/RBR	91623230	1		
4	Q/C NOZZLE KIT (040)	91040300	1		